



Door closer
for fire and
smoke rated doors

DORMA TS 89 F

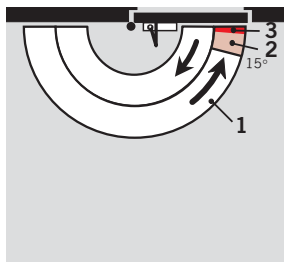
The DORMA TS 89 F has been specially designed as a universally applicable closer for fire and smoke rated doors. Its particularly sleek and compact body means

that there are virtually no fixing problems, and it offers all the dependability of quality assured manufacture.

Certified to ISO 9001

Plus points...

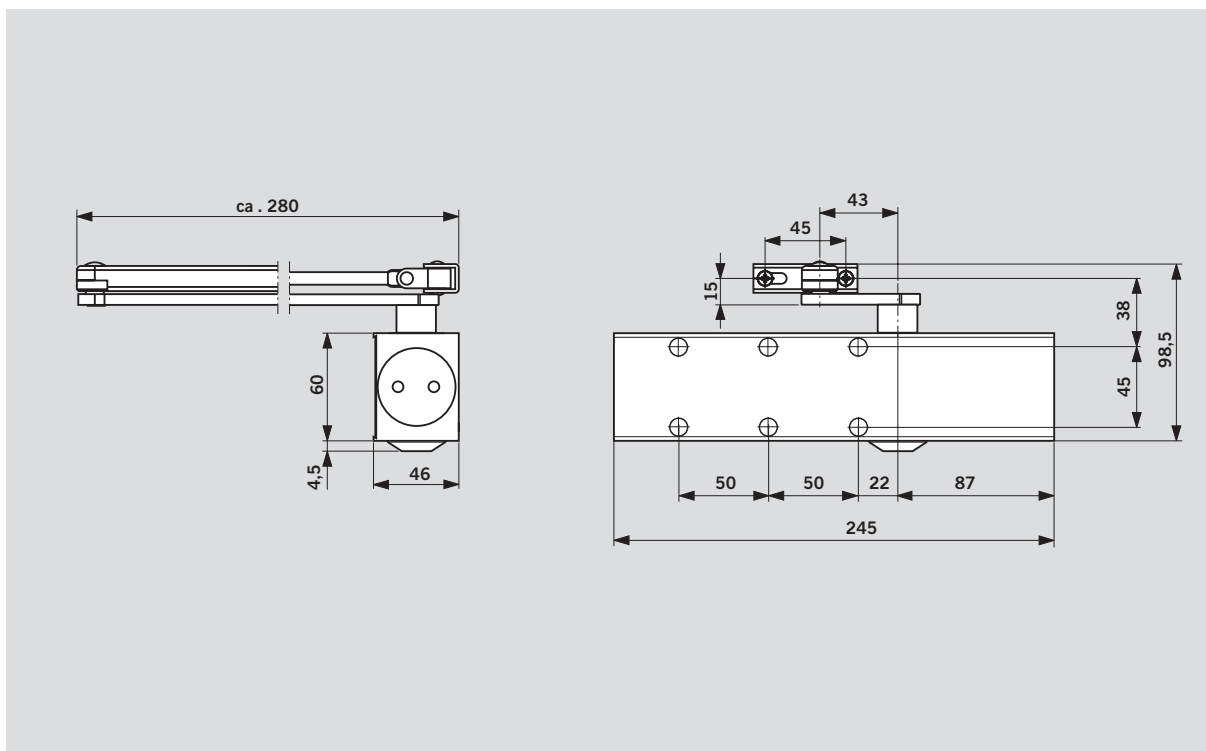
- Compact construction, timeless design.
- Fast and simple to install. Spring strength, closing speed and latching action easily altered.
- Non-handed.
- Reliable, safe and constant closing action with adjustable latching action.
- High mechanical efficiency for easy door operation.



- 1 Infinitely variable closing speed in the range 180° - 15°
- 2 Infinitely variable closing speed in the range 15° - 0°
- 3 Adjustable latch range (by arm)

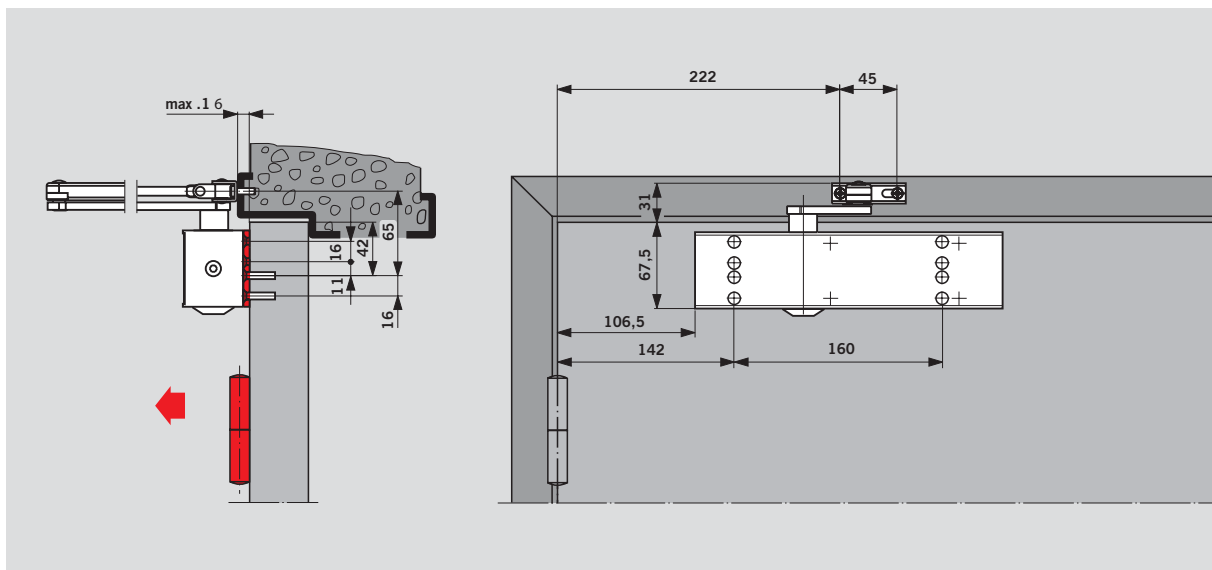
Data and features		TS 89 F
Spring strength adjustable	Size	EN 3-6
Fire and smoke rated doors	≤ 1400 mm	●
Non handed unit		●
Arm type	Standard	●
Spring strength variable by adjustment screw		●
Closing speed adjustable at 2 seperate valves	180° - 15°	●
	15° - 0°	●
Latching action variable at arm		●
Backcheck		-
Delayed action		-
Weight in kg. approx.		1,7
Dimensions in mm	Length	245
	Width	46
	Height	60
Door closer tested to EN 1154		●
CE marking for building products		●

● yes - no ○ option



Door leaf fixing with mounting backplate, pull side

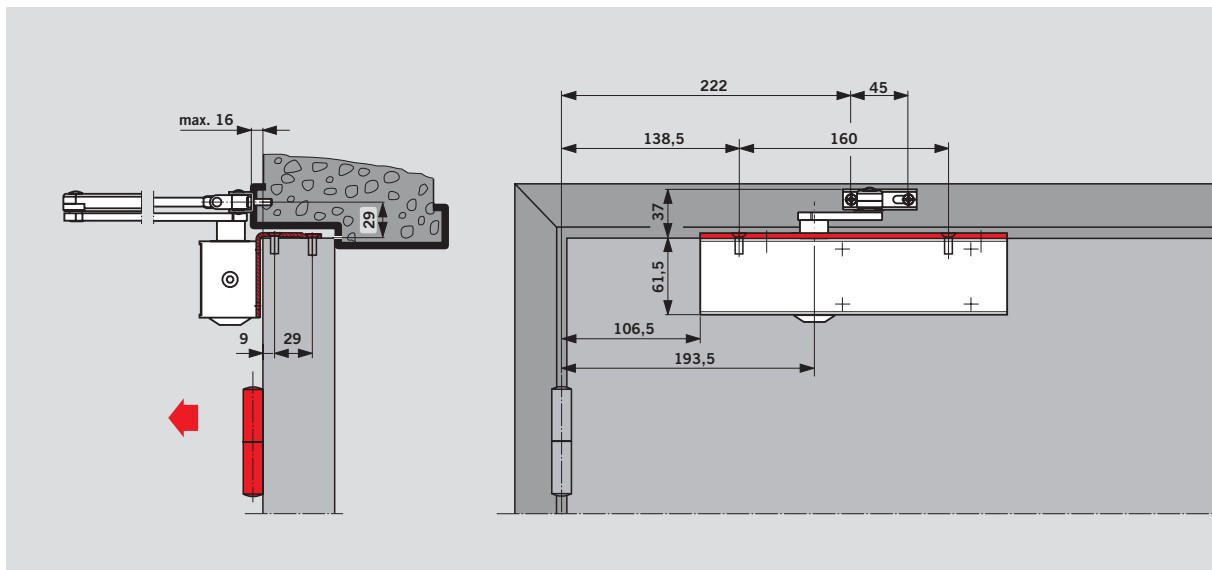
(All examples refer to left-hand/ISO 6 doors; mirrored arrangements apply to right-hand/ISO 5 doors)



Leaf fixing with angle bracket, pull side

Only suitable for flush-closing fire doors

(All examples refer to left-hand/ISO 6 doors; mirrored arrangements apply to right-hand/ISO 5 doors)



Specification text

DORMA TS 83 rack and pinion door closer for fire and smoke rated doors, with adjustable power size EN 3 – 6, according to EN 1154, carries the CE mark, closing speed adjustable in two independent ranges and adjustable latch action. Non-handed.

Configuration

- with mounting backplate
- with angle bracket

Colour

- silver
- white (RAL 9016)
- special colour _____
(similar to RAL ____)

Make:

DORMA TS 89 F

**Частное торгово-производственное унитарное предприятие
«Новые электросистемы»**

220024 г. Минск, пер. Корженевского, д. 2а, офис 14

8 (017) 228-00-00

8 (017) 207-54-44

8 (017) 212-77-19

E-mail: info@electrosystem.by

Саўт: www.electrosystem.by