



Free swing
slide-channel
door closer

DORMA TS 99

For easy use of fire and smoke check doors combined with safe closing in an emergency.

The DORMA TS 99 FL is a hold-open device with a free-swing function which, in conjunction with a smoke detector system (e.g. DORMA RMZ-K/S) can be used as a hold-open system for fire doors. An integrated solution, i.e. hold-open device with free-swing function plus built-in smoke detector system, is also available in

the form of the DORMA TS 99 FLR or TS 99 FLR/K. In both systems, the door can be operated without resistance thanks to their free-swing feature. In the event of an alarm or power failure, however, the doors is reliably closed by the reinstated action of the door closer.

Certified to ISO 9001.

Plus points

For the trade

- Ideal complement to the product range
- Low storage costs and minimised stocking requirement thanks to separate packs for closer body and slide channel

For the installer/fabricator

- Easy and quick to fit
- Time-saving, problem-free electrical connections

For the architect/specifier

- Compact design
- Reliable closing of fire/smoke check doors in homes for the elderly, centres for the disabled and hospitals

For the user

- Door operates without resistance
- Easy functional check with test pushbutton.

F Approval certification

TS 99 FL

The DORMA TS 99 FL is approved by the German Institute for Building Technology, Berlin, for use with the smoke detector

system DORMA RMZ-K/S and other well known smoke detector systems; acceptance test required in Germany.

TS 99 FLR

The DORMA TS 99 FLR is approved by the German Institute for Building

Technology, Berlin, as a hold-open system; acceptance test required in Germany.

TS 99 FLR/K

The DORMA TS 99 FLR/K is approved by the German Institute for Building

Technology, Berlin, as a hold-open system; acceptance test required in Germany.

Data and features		TS 99 FL	TS 99 FLR	TS 99 FLR-K
Spring strength setting	Size	EN 4	EN 4	EN 4
Standard doors	≤ 1100 mm	●	●	●
Fire and smoke check doors	≤ 1100 mm	●	●	●
Non-handed		●	●	●
Arm assembly type	Slide channel	●	●	●
Closing speed adjustable at valve		●	●	●
Free-swing function		●	●	●
Weight in kg		3.5	4.9	5.1
Dimensions in mm (without slide channel)	Length	371	660	371
	Overall depth	52	52	52
	Height	71	71	71
Door closer tested to EN 1154		●	●	●
Hold-open device tested to EN 1155		●	●	●
Functions	Smoke detector	–	●	●
	Release device	●	●	●
	Power supply unit	–	●	●
Smoke detection	Scattered light principle, optical sensor	–	●	●
Connection of other detectors	2-wire system	–	●	●
	Smoke switches	–	●	●
Total installed load (max.) for other detectors in W		–	5.7	2
Indicators	Alarm – red LED	–	●	●
	Armed – green LED	–	●	●
Input voltage		24 V DC ± 15 %	230 V AC ± 10 %	230 V AC ± 10 %
Output voltage		–	24 V DC	24 V DC
Power consumption in W		2	14,6	8
Floating change-over contacts		–	24 V AC/DC 2 A	24 V AC/DC 2 A
Reset	Automatic; selector for manual reset	–	●	●
Test port for function test		–	●	●
Connection terminals for remote manual release		–	●	●
Degree of protection		–	IP 20	IP 20

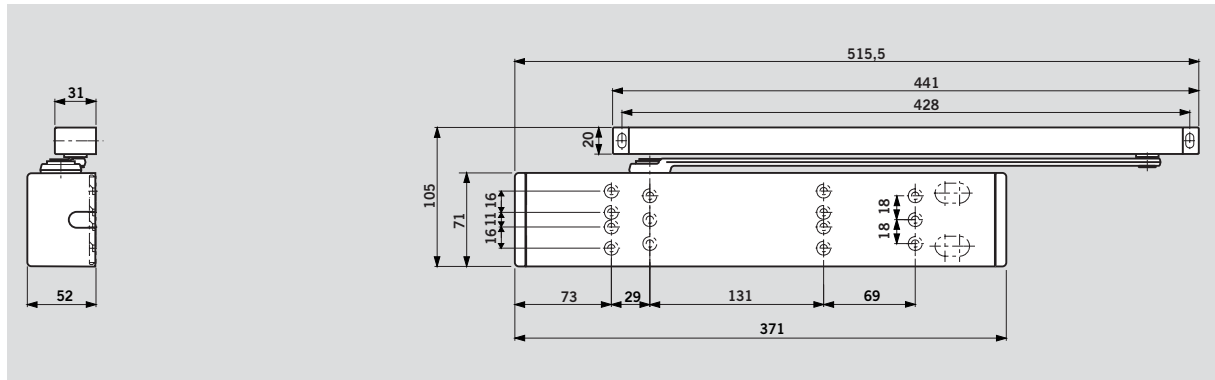
● yes – no

Note

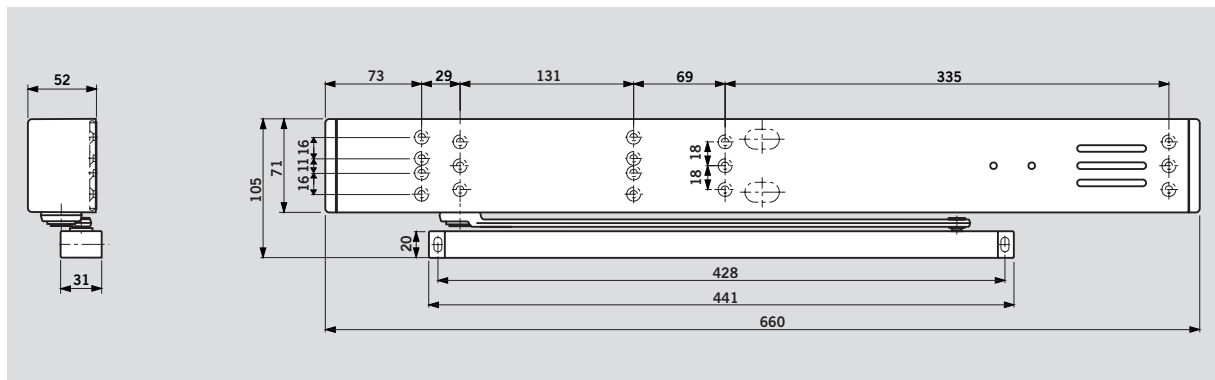
According to the regulations governing hold-open systems issued by the Institute of Building Technology (DIBt), Berlin, a manual release switch must be provided for free-swing door closers.

This palm switch must be red and carry the inscription "Close Door". The switch must be located in the immediate vicinity of the door and must not be hidden by the opened door.

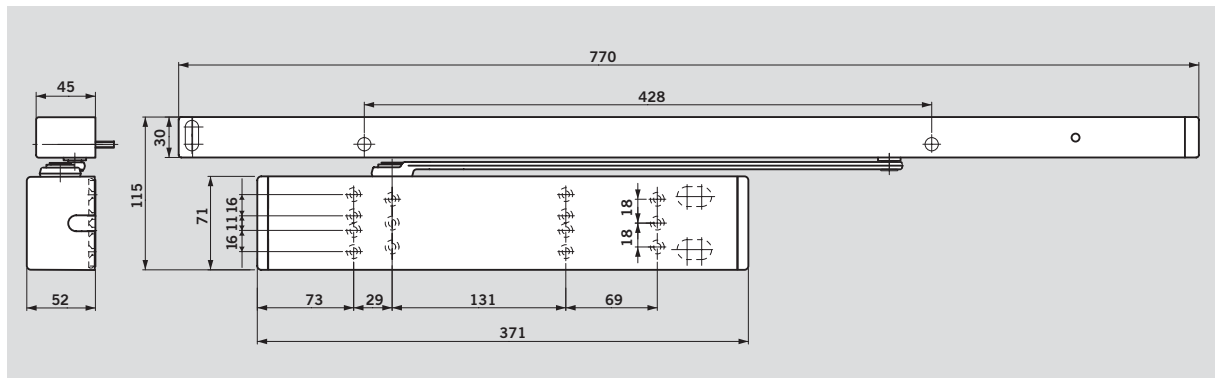
DORMA TS 99 FL



DORMA TS 99 FLR



DORMA TS 99 FLR/K

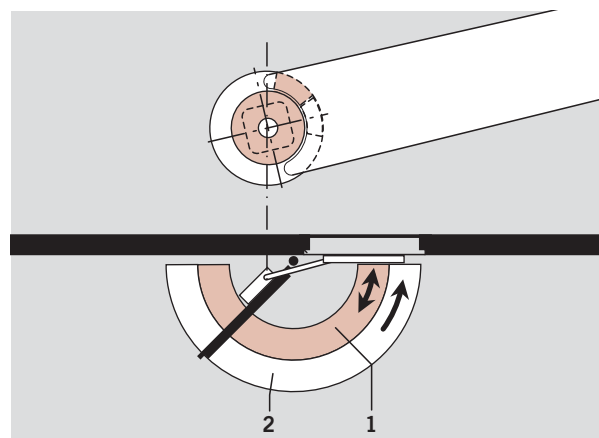


The free-swing function

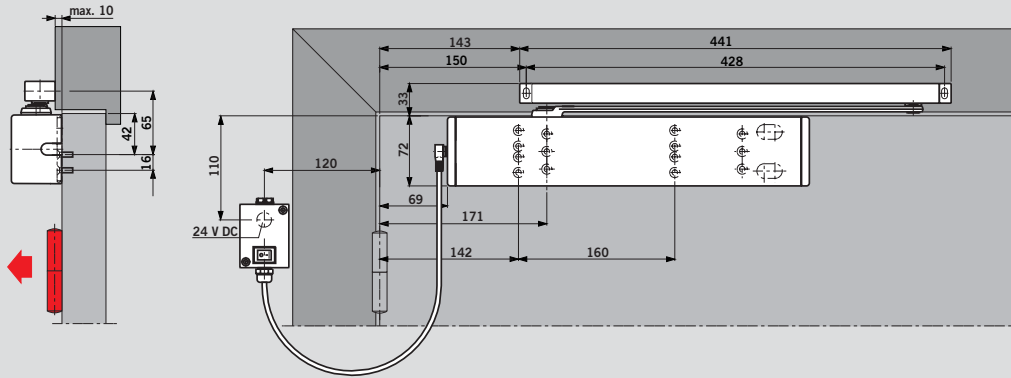
If the door leaf is opened (approx. 75°), the closer spindle in this position is held by the electro-hydraulic hold-open device in the closer body. However, the door can be freely operated thanks to the free-swing function incorporated in the arm assembly. In the event of a fire or power failure, the door is reliably closed by the action of the door closer.

This system is ideal in applications such as homes for the elderly, centres for the disabled and hospitals. (Not recommended for corridor doors, which should be held open at a fixed position.)

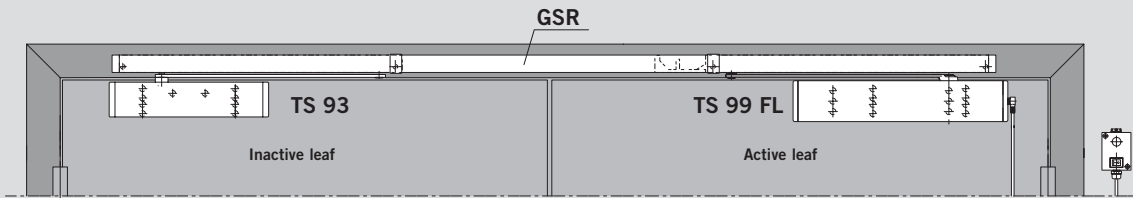
- 1 Free-swing range
- 2 Fully controlled closing action (mechanical)



Applications and fixing

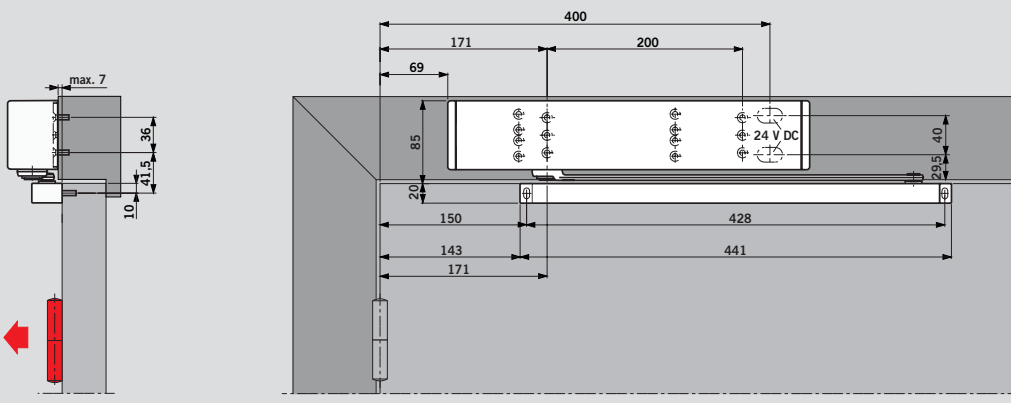


Applications on double-leaf doors on request



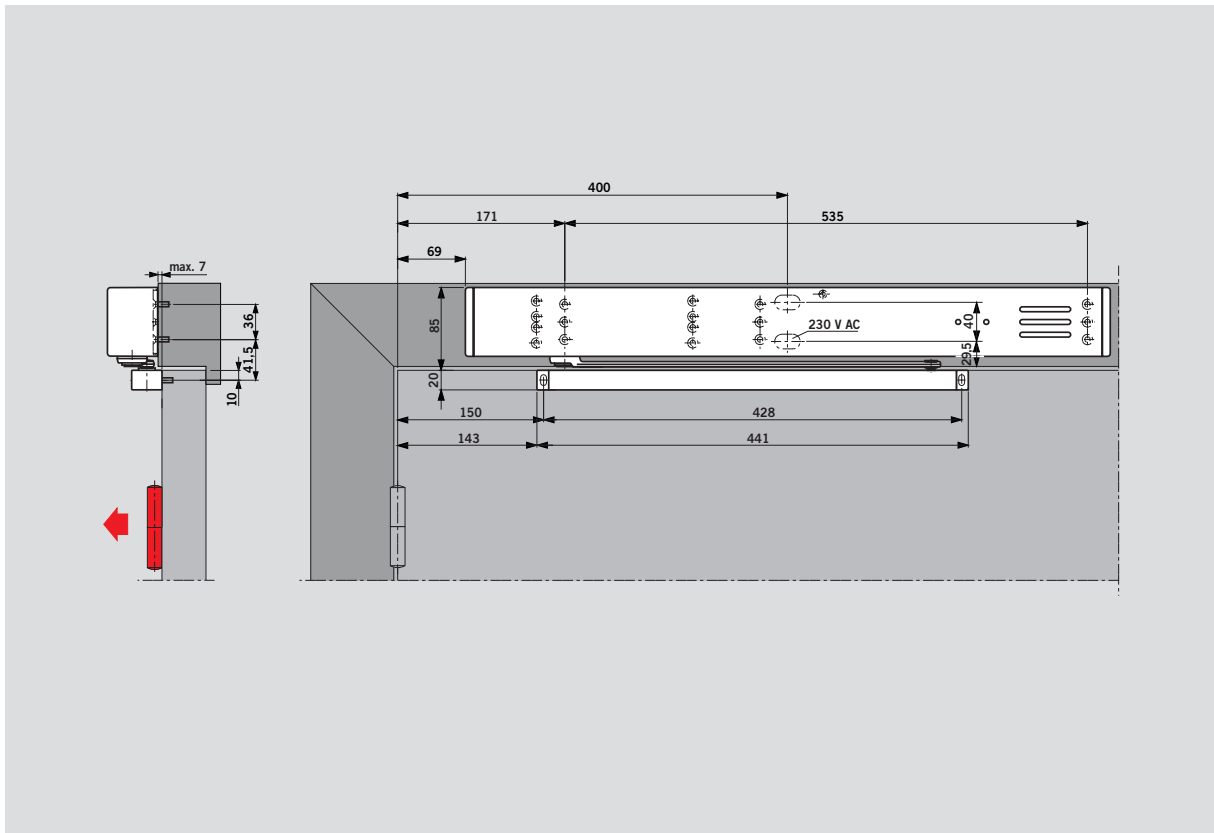
DORMA TS 99 FL door closer, standard application (door leaf fixing)

Examples: Anticlockwise-closing (ISO 6/LH) door; mirrored arrangements apply to clockwise-closing (ISO 5/RH) doors



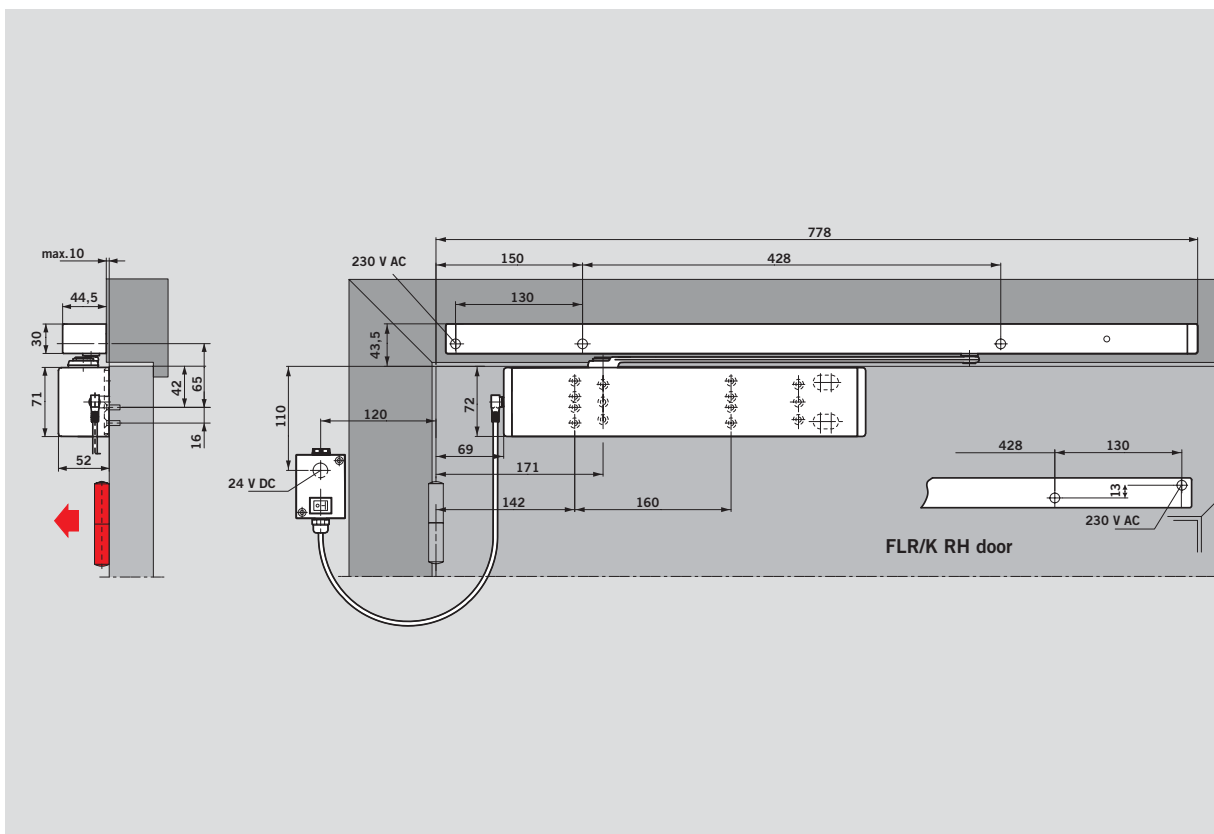
DORMA TS 99 FL door closer, frame mounted (transom fixing)

Examples: Anticlockwise-closing (ISO 6/LH) door; mirrored arrangements apply to clockwise-closing (ISO 5/RH) doors



DORMA TS 99 FLR door closer

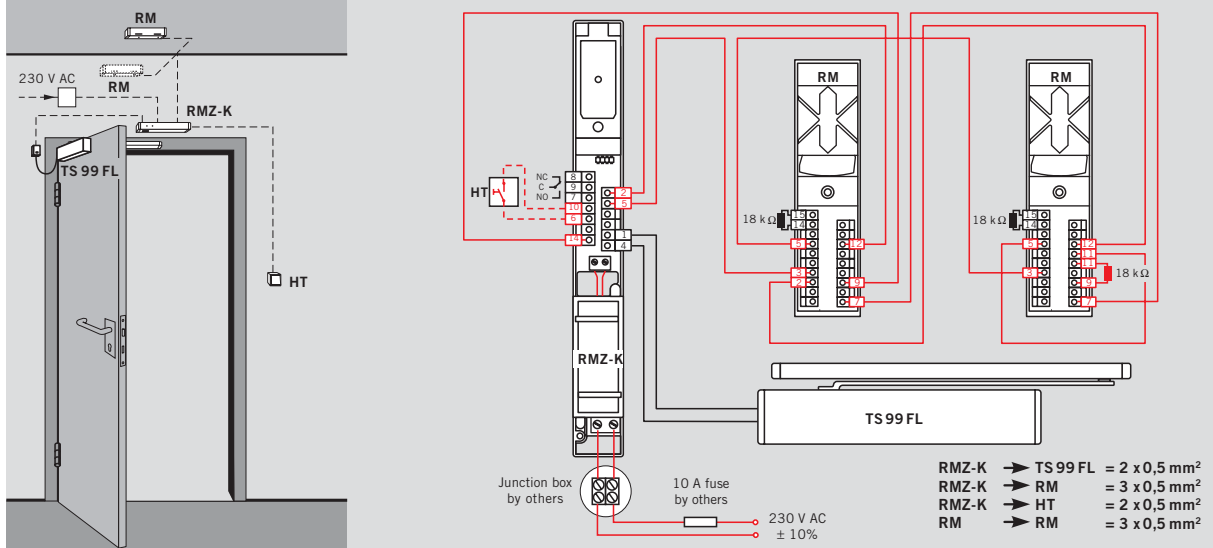
Examples: Anticlockwise-closing (ISO 6/LH) door; mirrored arrangements apply to clockwise-closing (ISO 5/RH) doors



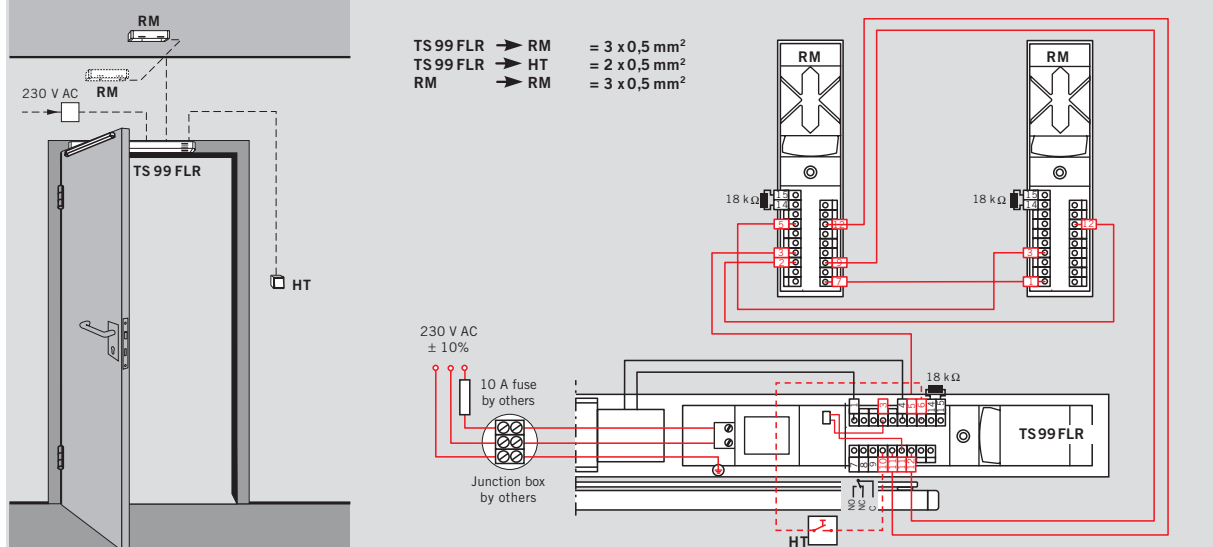
DORMA TS 99 FLR/K door closer

Examples: Anticlockwise-closing (ISO 6/LH) door; mirrored arrangements apply to clockwise-closing (ISO 5/RH) doors

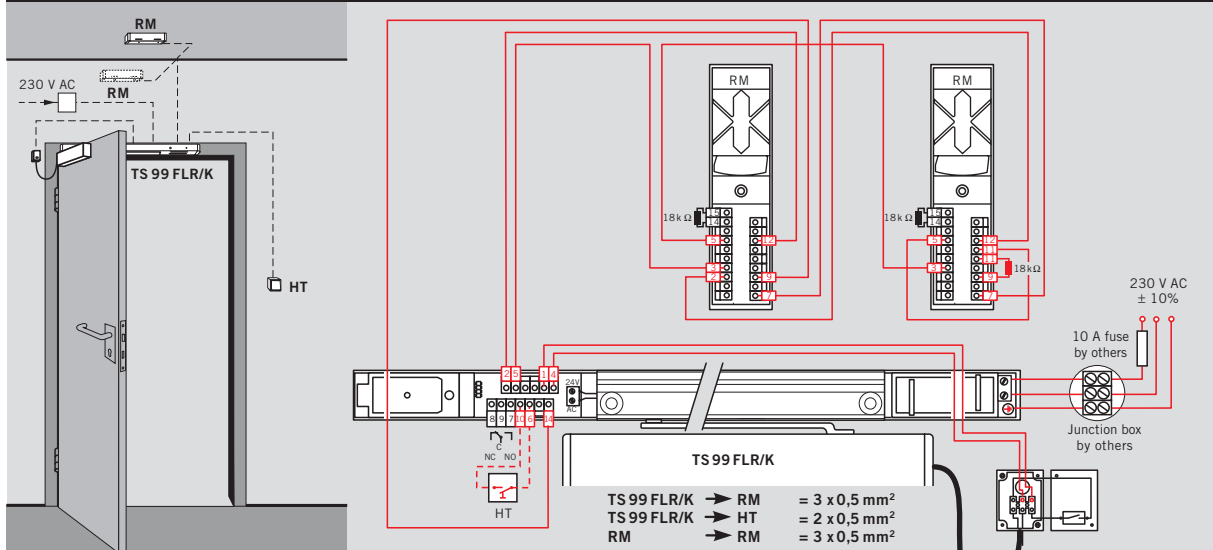
DORMA TS 99 FL + RMZ-K + 2x RM



DORMA TS 99 FLR + 2x RM



DORMA TS 99 FLR/K + 2x RM



Standard equipment and accessories

	Slide channel with free-swing arm assembly	Slide channel with free-swing arm assembly	Manual release switch
			<input type="checkbox"/> HT-UP 35901531 <input type="checkbox"/> HT-AP 35901532
TS 99 FL door closer body Leaf-fixed Size EN 4 	<input type="checkbox"/> 532801xx		#
TS 99 FL door closer body Transom-fixed Size EN 4 	<input type="checkbox"/> 532901xx		#
TS 99 FLR door closer body Size EN 4 	<input type="checkbox"/> 542501xx		#
TS 99 FLR/K door closer body Size EN 4 		<input type="checkbox"/> 542601xx	#

= Closer body complete with slide channel assembly

Colour **xx**
 Silver 01 White (sim. to RAL 9016) 11
 White (sim. to RAL 9010) 10 Special colour 09

Specification text

DORMA TS 99 FL
 Slide channel door closer, size EN 4, with electro-hydraulic hold-open and free-swing function; adjustable closing speed, non-handed. Operating voltage 24 V DC.

Approved by DIBt, Berlin, for use in hold-open systems. Acceptance test required in Germany.

Model
 Leaf-fixed
 Transom-fixed

Make DORMA TS 99 FL

Colour
 Silver
 White (sim. to RAL 9010)
 White (sim. to RAL 9016)
 Special colour _____ (sim. to RAL ____)

DORMA TS 99 FLR
 Slide channel door closer, size EN 4, with electro-hydraulic hold-open, free-swing function, integrated power supply and smoke detector; adjustable closing speed, non-handed.

Prepared for connection of further detectors, remote manual release device and floating alarm contact. Power supply data: 230 V AC; Operating voltage 24 V DC. Approved by DIBt, Berlin, for use in hold-open systems. Acceptance test required in Germany.

Colour
 Silver
 White (sim. to RAL 9010)
 White (sim. to RAL 9016)
 Special colour _____ (sim. to RAL ____)

Fabrikat DORMA TS 99 FLR

DORMA TS 99 FLR/K
 Slide channel door closer, size EN 4, with electro-hydraulic hold-open, free-swing function, integrated power supply and smoke detector; adjustable closing speed, non-handed.

Prepared for connection of further detectors, remote manual release device and floating alarm contact. Power supply data: 230 V AC; Operating voltage 24 V DC. Approved by DIBt, Berlin, for use in hold-open systems. Acceptance test required in Germany.

Colour
 Silver
 White (sim. to RAL 9010)
 White (sim. to RAL 9016)
 Special colour _____ (sim. to RAL ____)

Fabrikat DORMA TS 99 FLR/K

Частное торгово–производственное унитарное предприятие
«Новые электросистемы»

220024 г. Минск, пер. Корженевского, д. 2а, офис 14

(017) 228–00–00

(017) 207–54–44

(017) 212–77–19

E-mail: info@electrosystem.by

Сайт: www.electrosystem.by